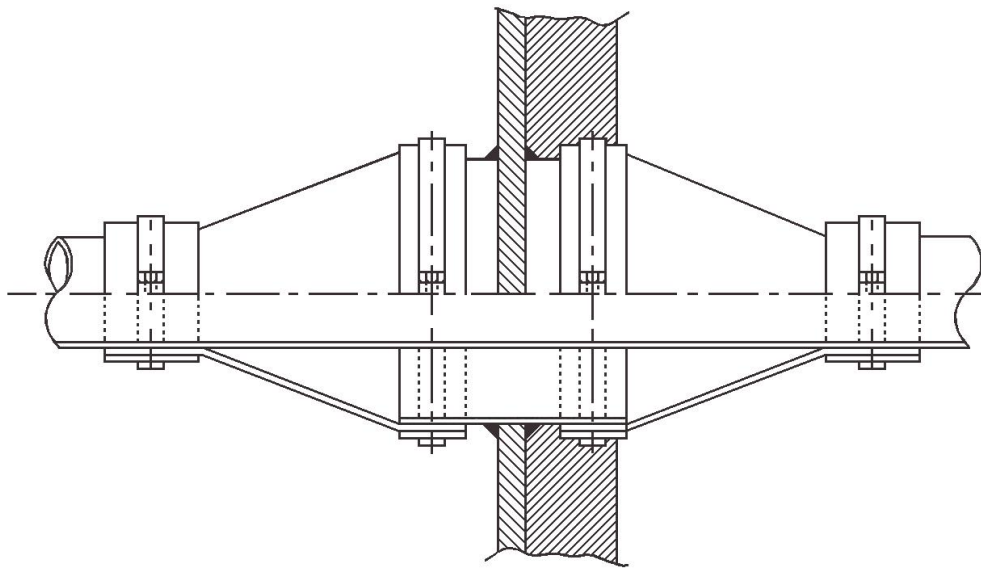
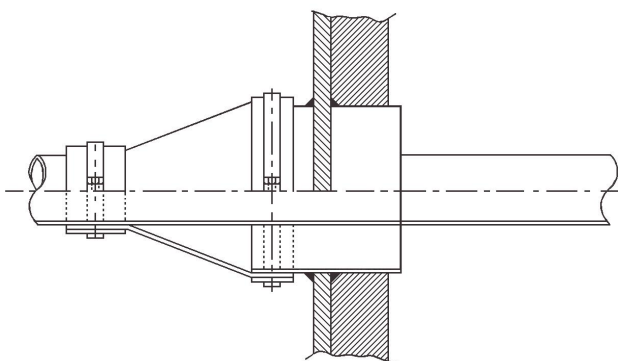


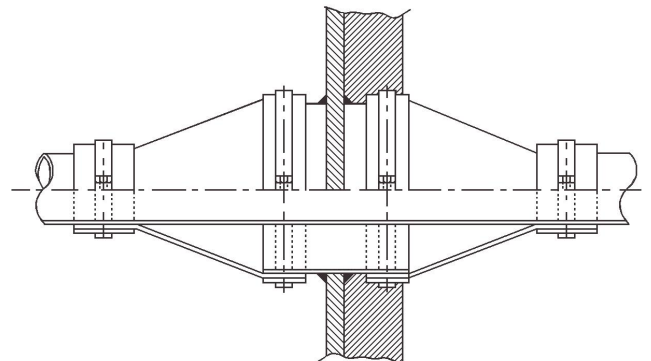
## COBALCH FIREPROOF LEAD-IN SLEEVE



- 1 **Fireproof gasket** in split design for mounting after the pipe has been installed and incl. stainless clip
- 2 Pipe- / mediapipe
- 3 Sleeve in steel, with painted surface.



Type CBM 1



Type CBM 2

## Dimensions

### Scope of application:

- 1 Gasket type FP is made of FIREMASTER X607:  
 External Alu covered glassfiber  
 Insulation Ceramic felt  
 Internal Ceramic texture, metal wire strengthen  
 Needlework Metal wire / ceramic wire

Available as ribbon prepared for assembling and mounting on pipe and sleeve with stainless clip.  
 The gasket fulfill all fireregulations up to 4 hours service life, for both onshore and offshore installations.  
 Are certified by Lloyds, DNV, Bureau Veritas, Danish Maritime Authority, US Coastguard ect.

- 2 Insulators are available in plastic or steel by commision. Not as standard.
- 3 Pipe made of steel.
- 4 Sleeve for concreting is made of steel. Made of standard pipe or rolled from plate.  
 The external surface is as standard protected.  
 The length of the sleeve must always be min. 2 x 80 mm larger than the width of the wall thickness.

Pipe DN		Sleeve	Minimum hole diameter	Gasket type and dimension
mm	"	D x wt x L	mm	mm
25	1	88,9 x wt x 400	150	BB 1" x 3"
32	1 1/4	88,9 x wt x 400	150	BB 1 1/4" x 3"
40	1 1/2	114,3 x wt x 400	175	BB 1 1/2" x 4"
50	2	114,3 x wt x 400	175	BB 2" x 4"
65	2 1/2	168,3 x wt x 400	230	BB 2 1/2" x 6"
80	3	168,3 x wt x 400	230	BB 3" x 6"
100	4	168,3 x wt x 400	230	BB 4" x 6"
125	5	220,0 x wt x 400	285	BB 5" x 8"
150	6	220,0 x wt x 400	285	BB 6" x 8"
200	8	323,0 x wt x 400	385	BB 8" x 12"
250	10	355,0 x wt x 400	415	BB 10" x 14"
300	12	406,0 x wt x 400	470	BB 12" x 16"