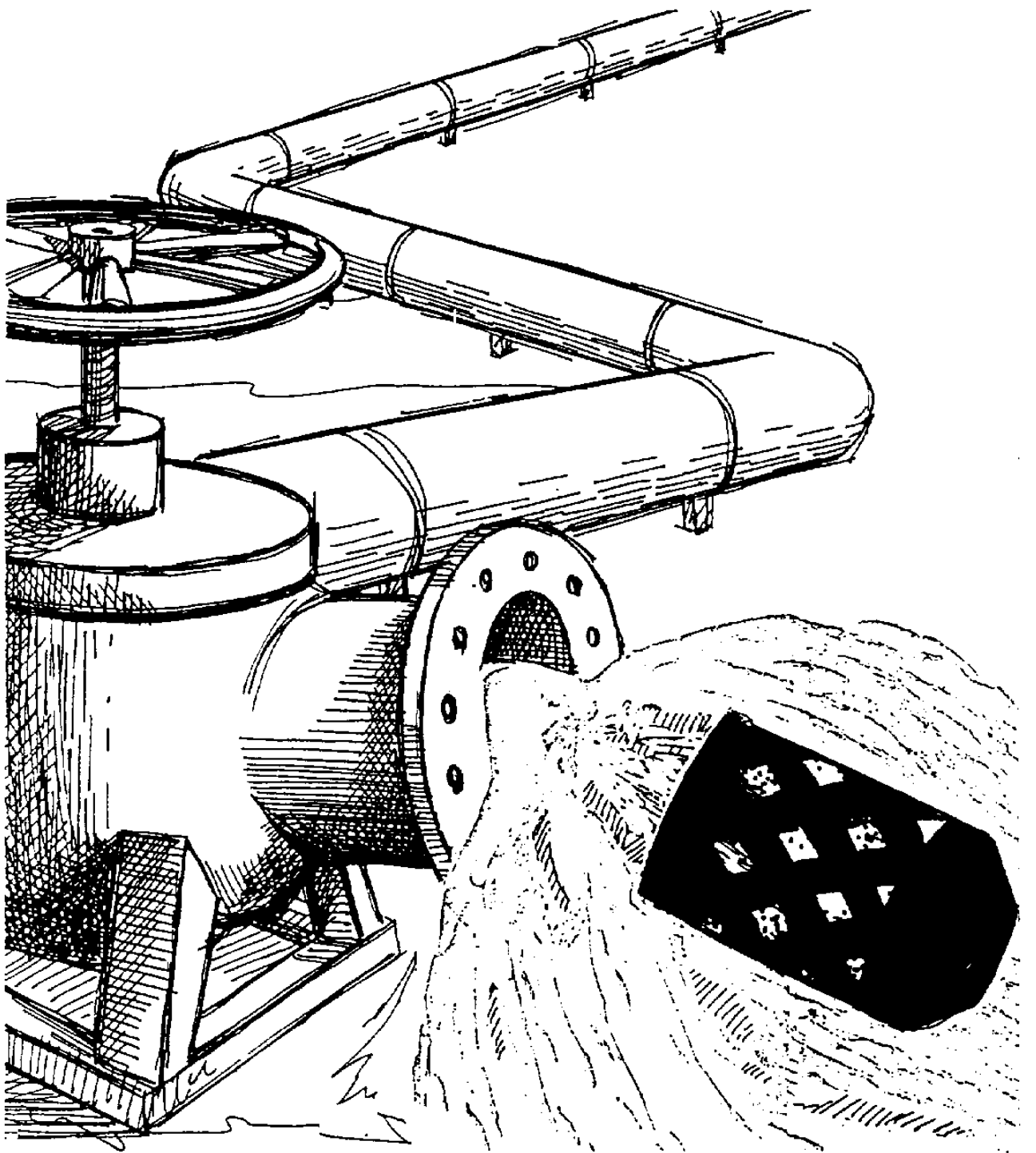
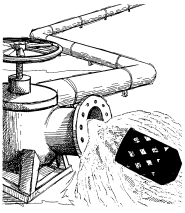


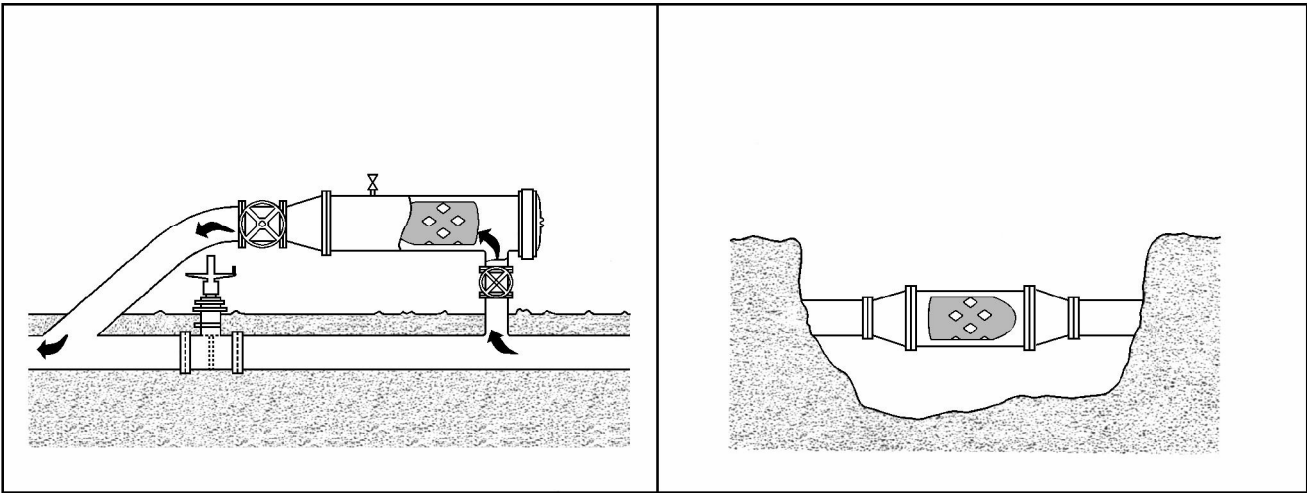
COBALCH PIPE CLEANING

Examples of launching and retrieval

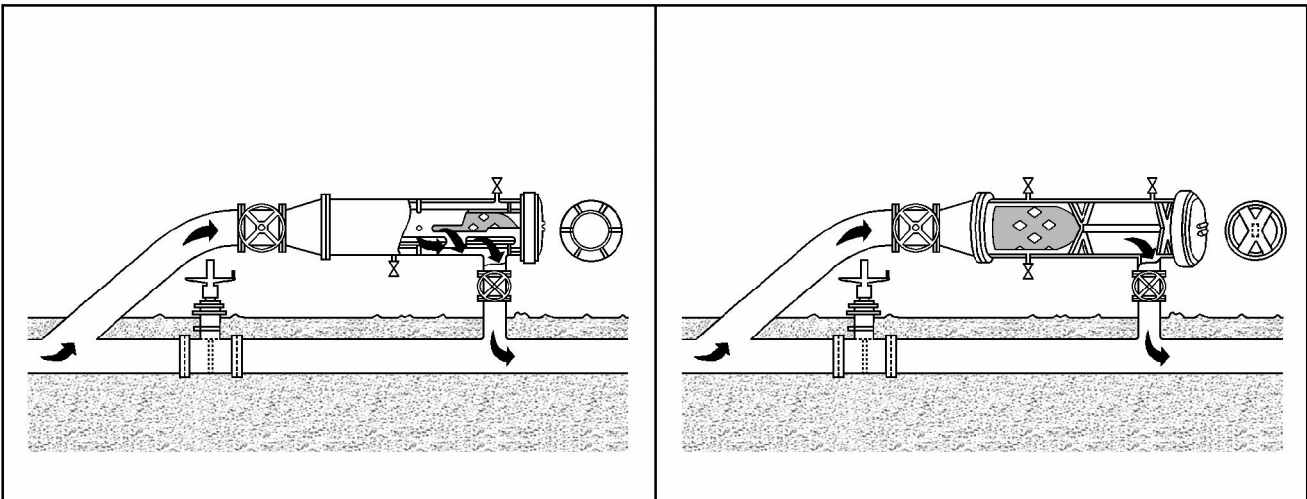


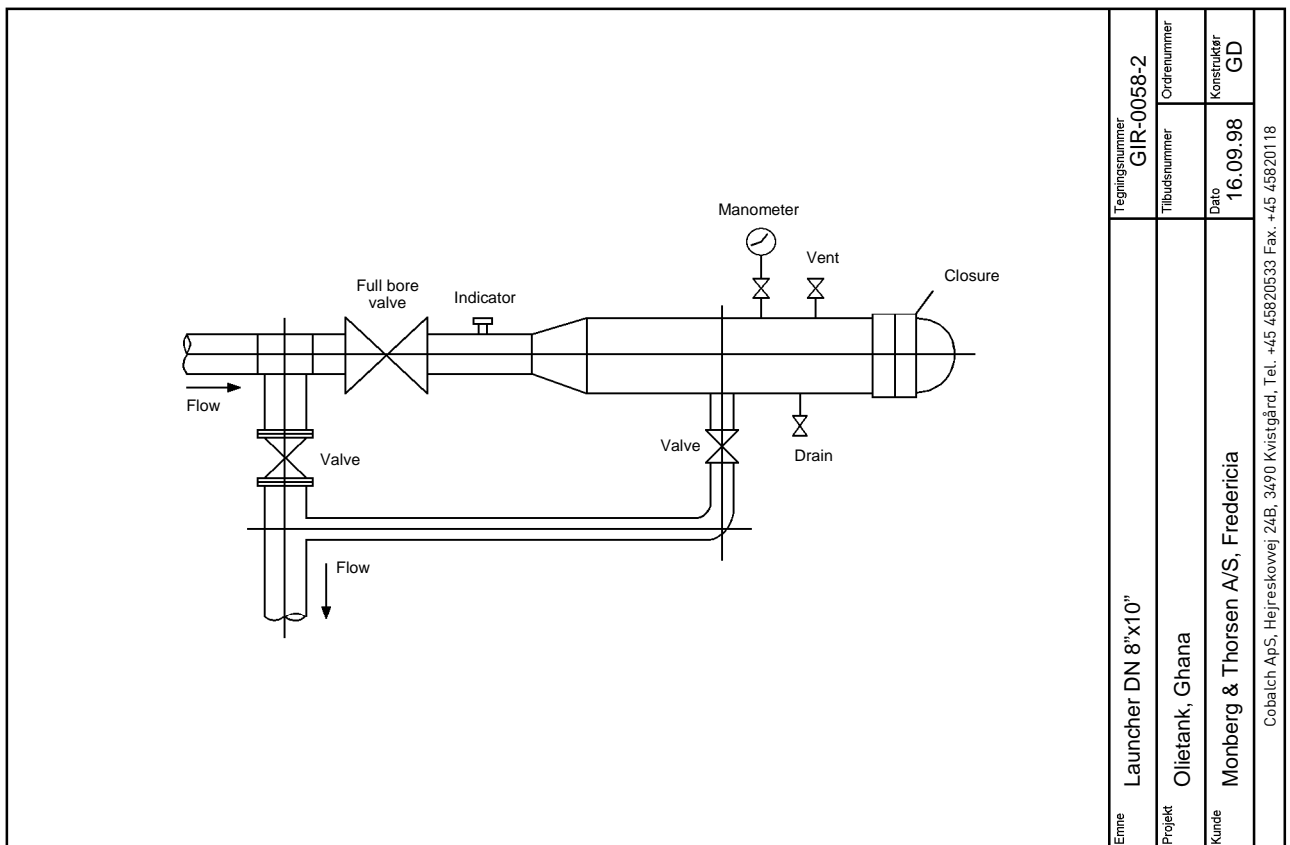
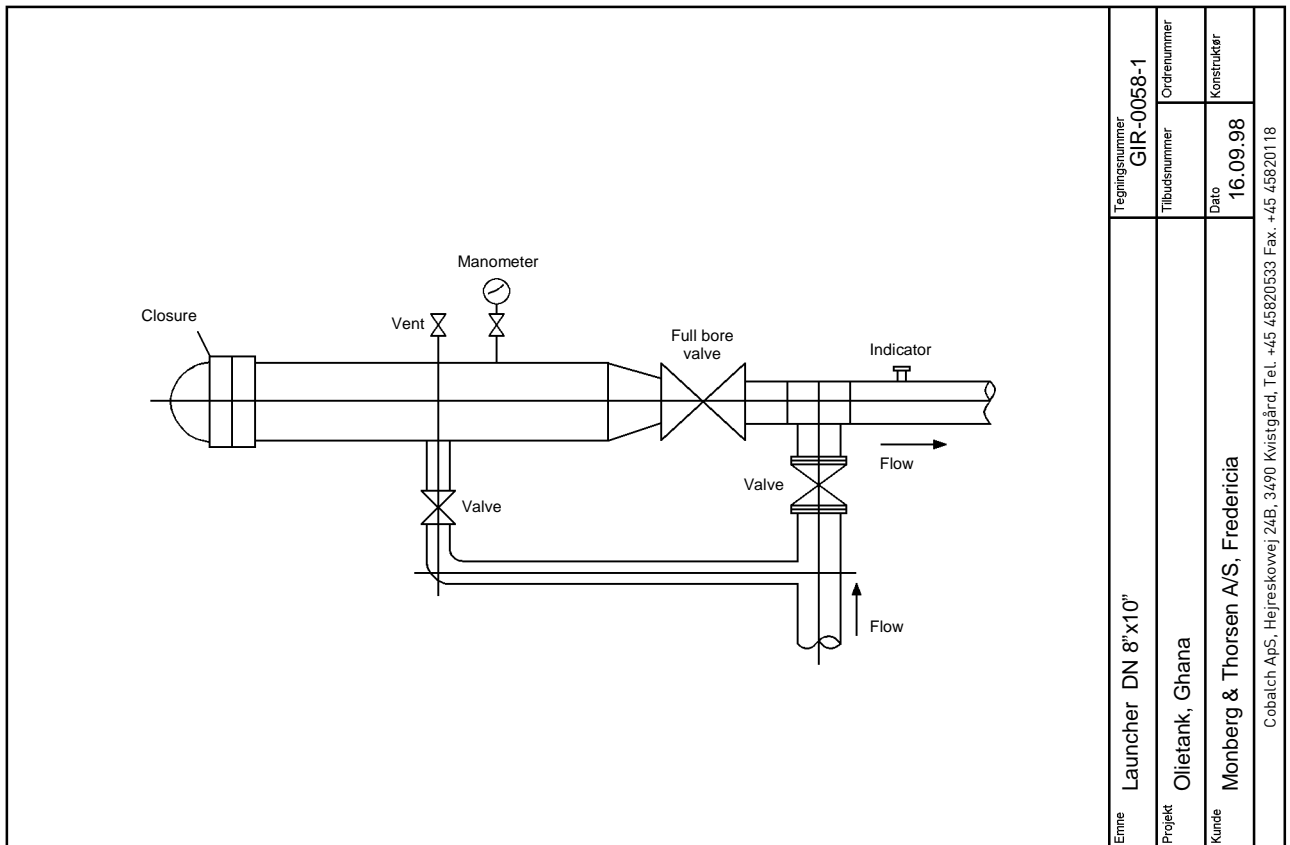


LAUNCHING

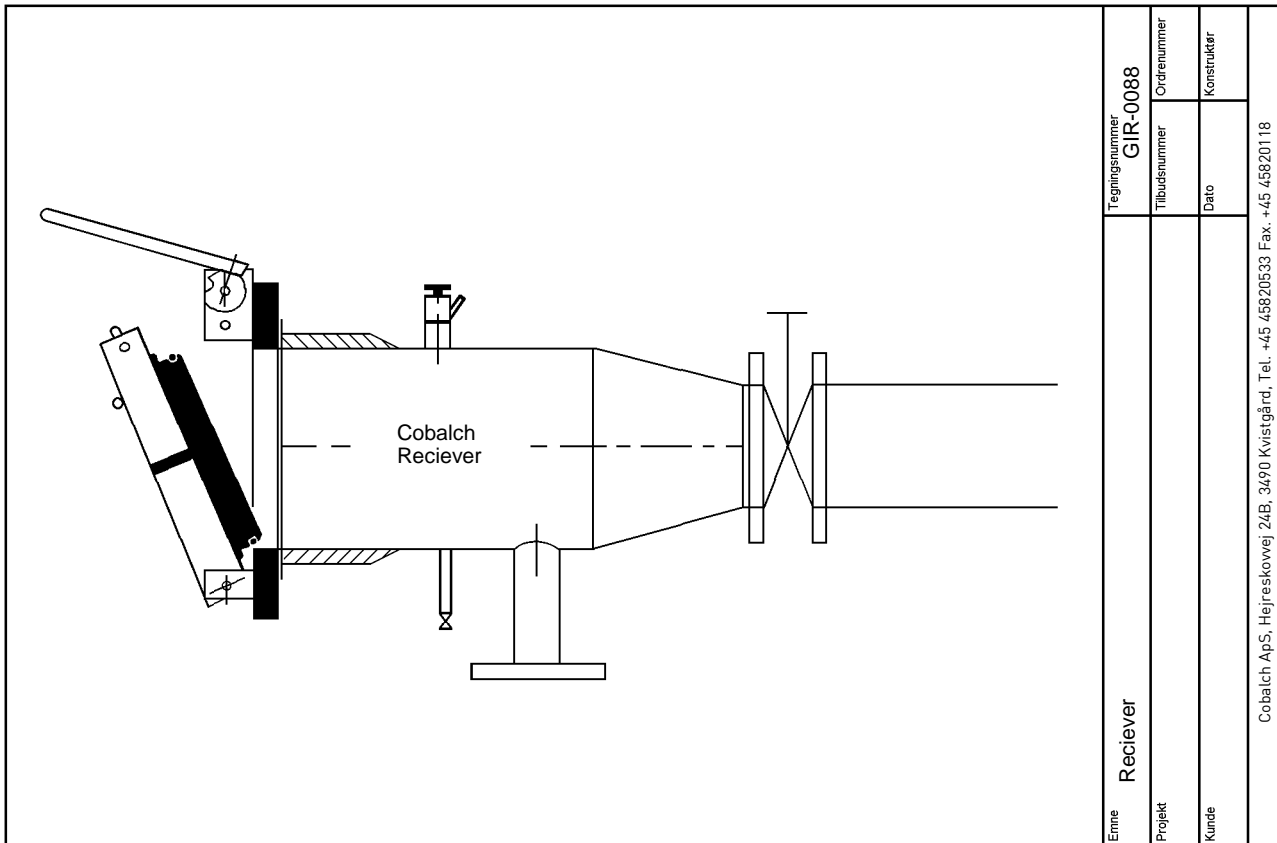
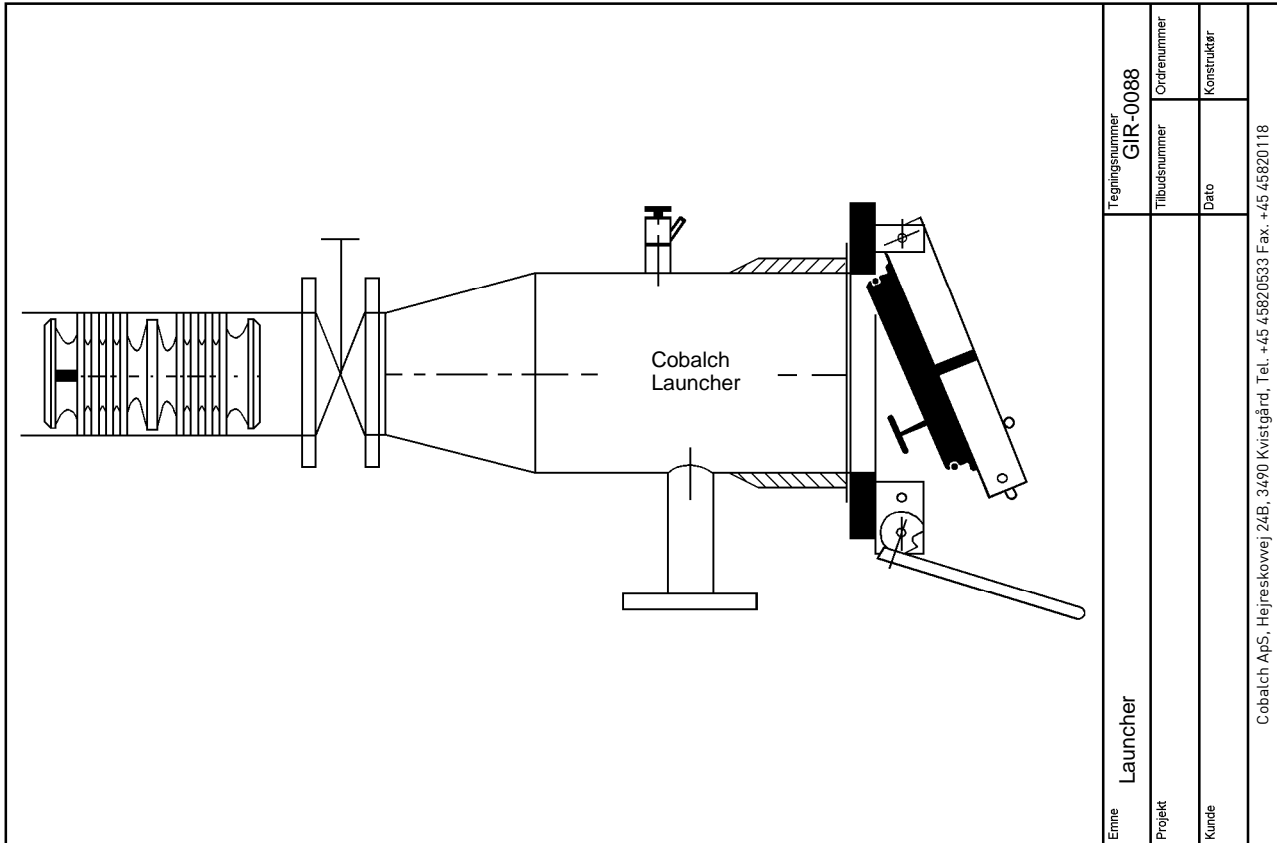


RETRIEVAL

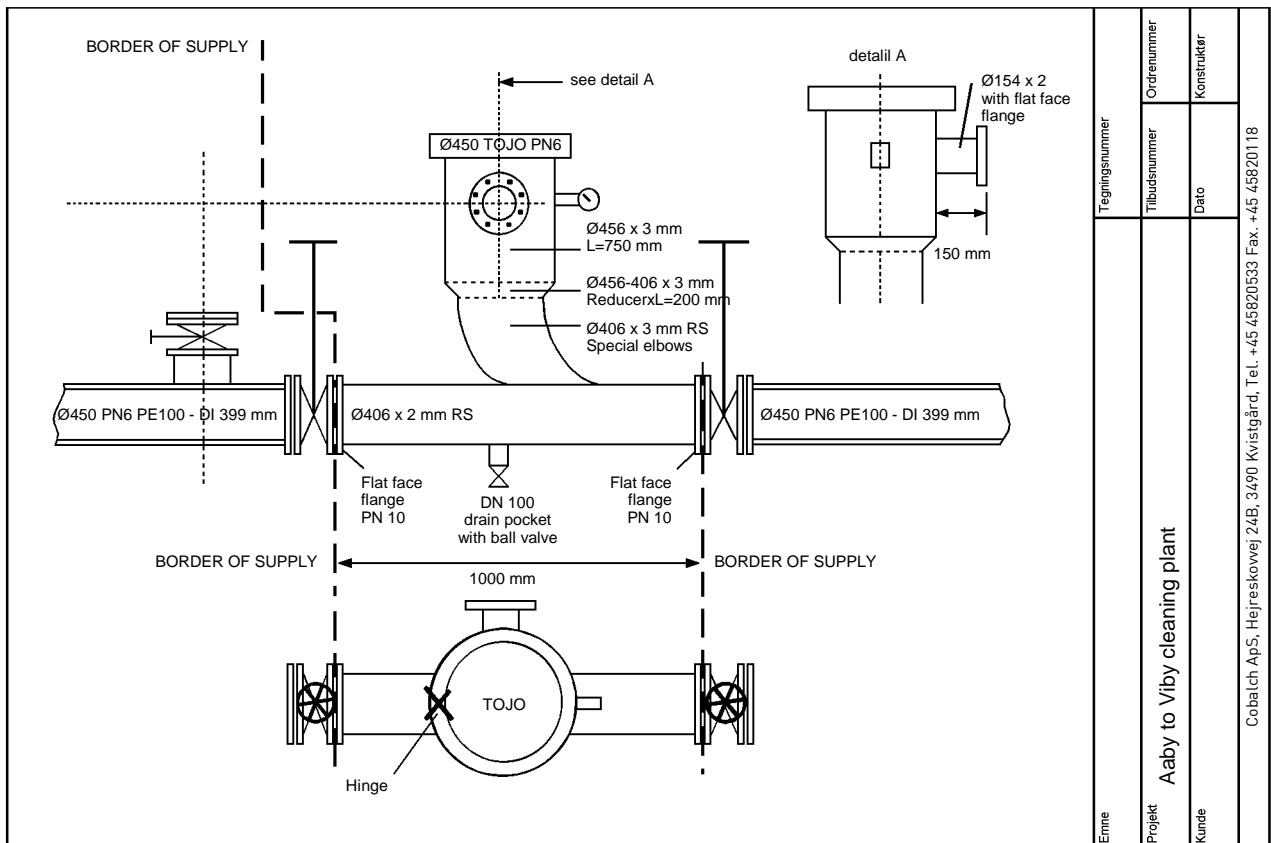
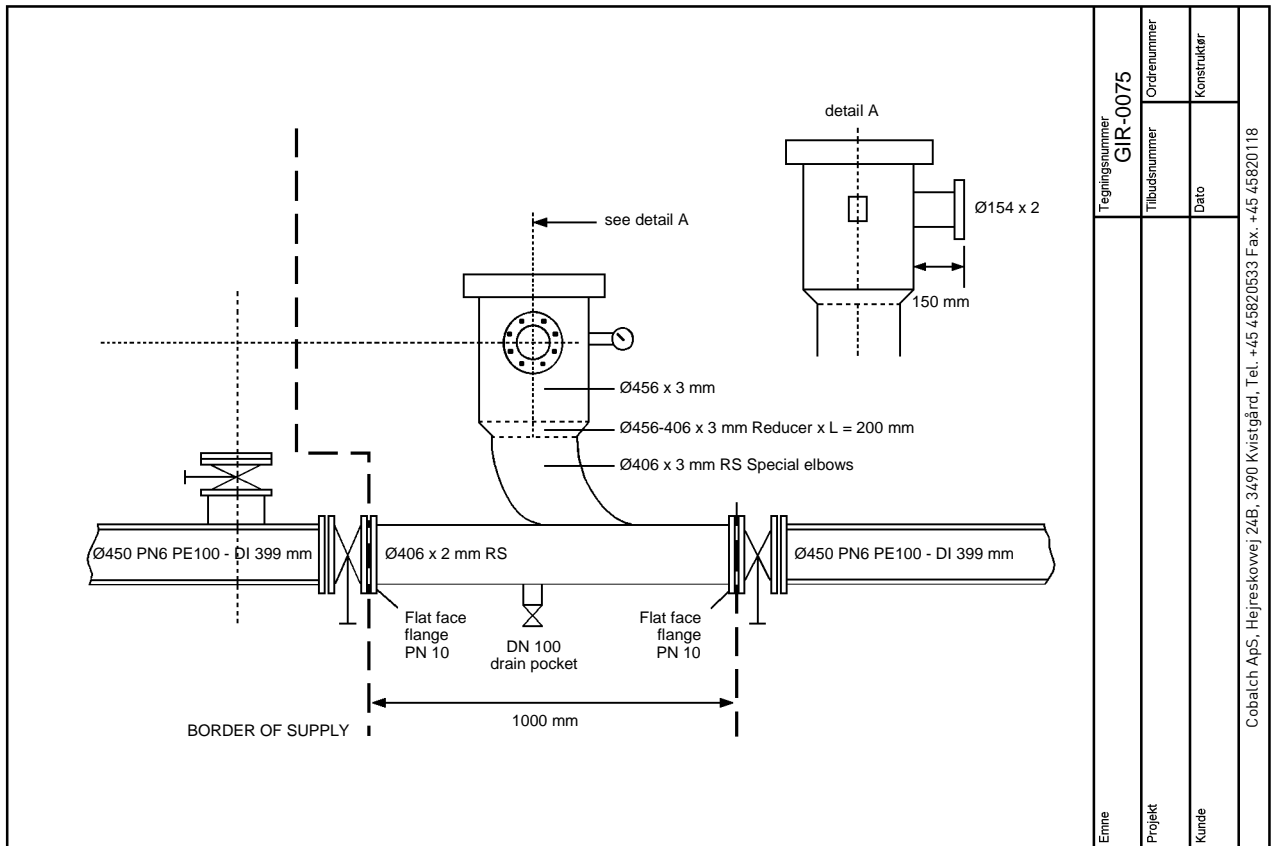




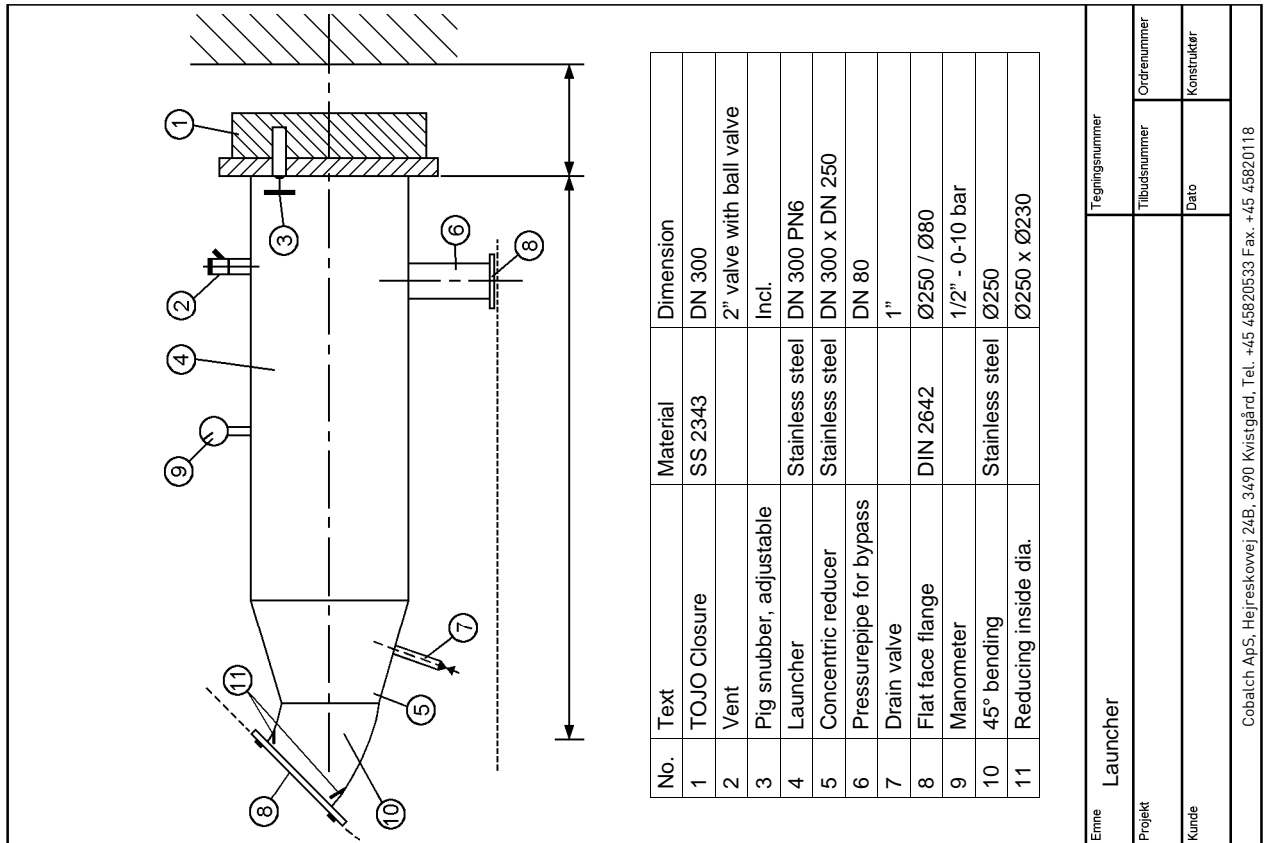
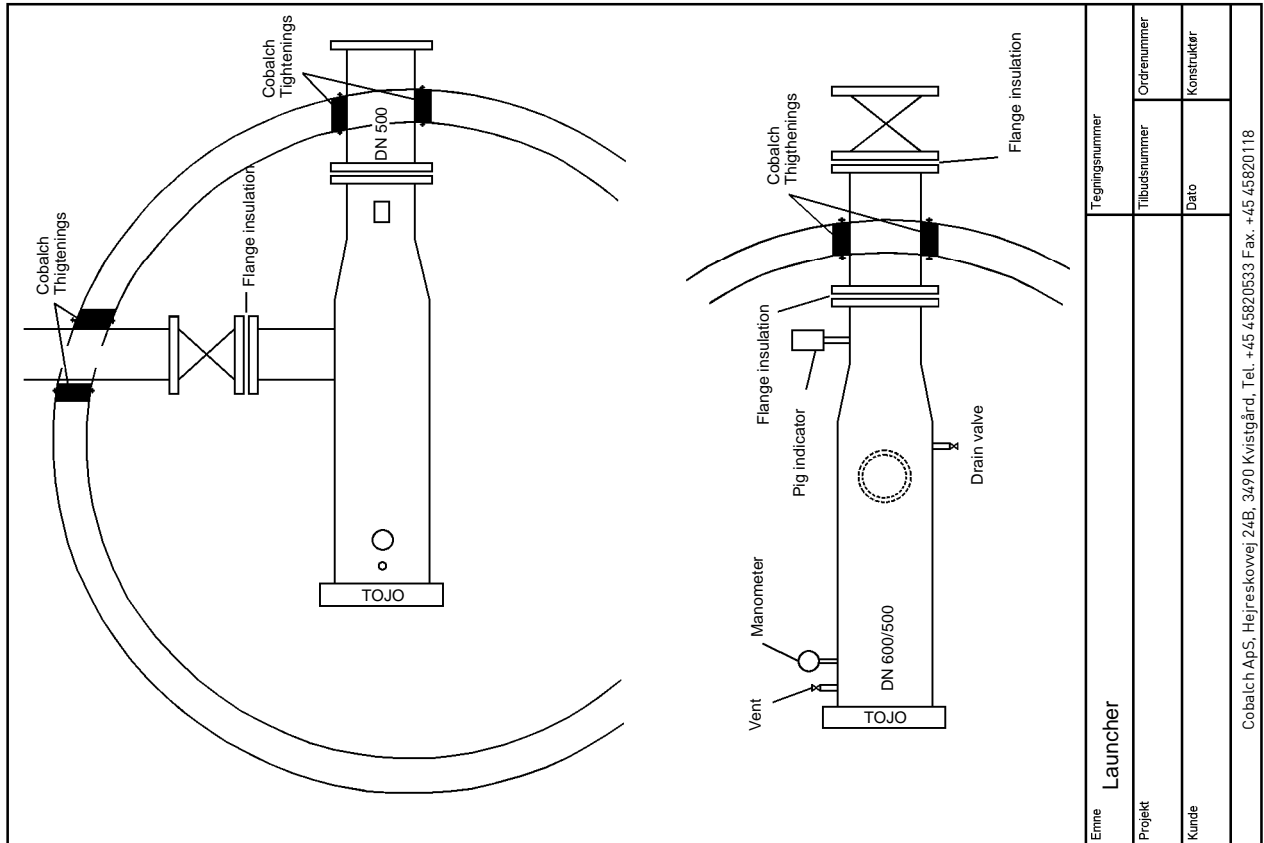
This drawing and all enclosure rightfully remains ours. They are trusted to the receiver and for personal use only. Without our written permission may they not be duplicated, multiplied or made available for "Third man" especially competitors and their employees. 15.12.97.



This drawing and all enclosure rightfully remains ours. They are trusted to the receiver and for personal use only. Without our written permission may they not be duplicated, multiplied or made available for "Third man" especially competitors and their employees. 15.12.97.



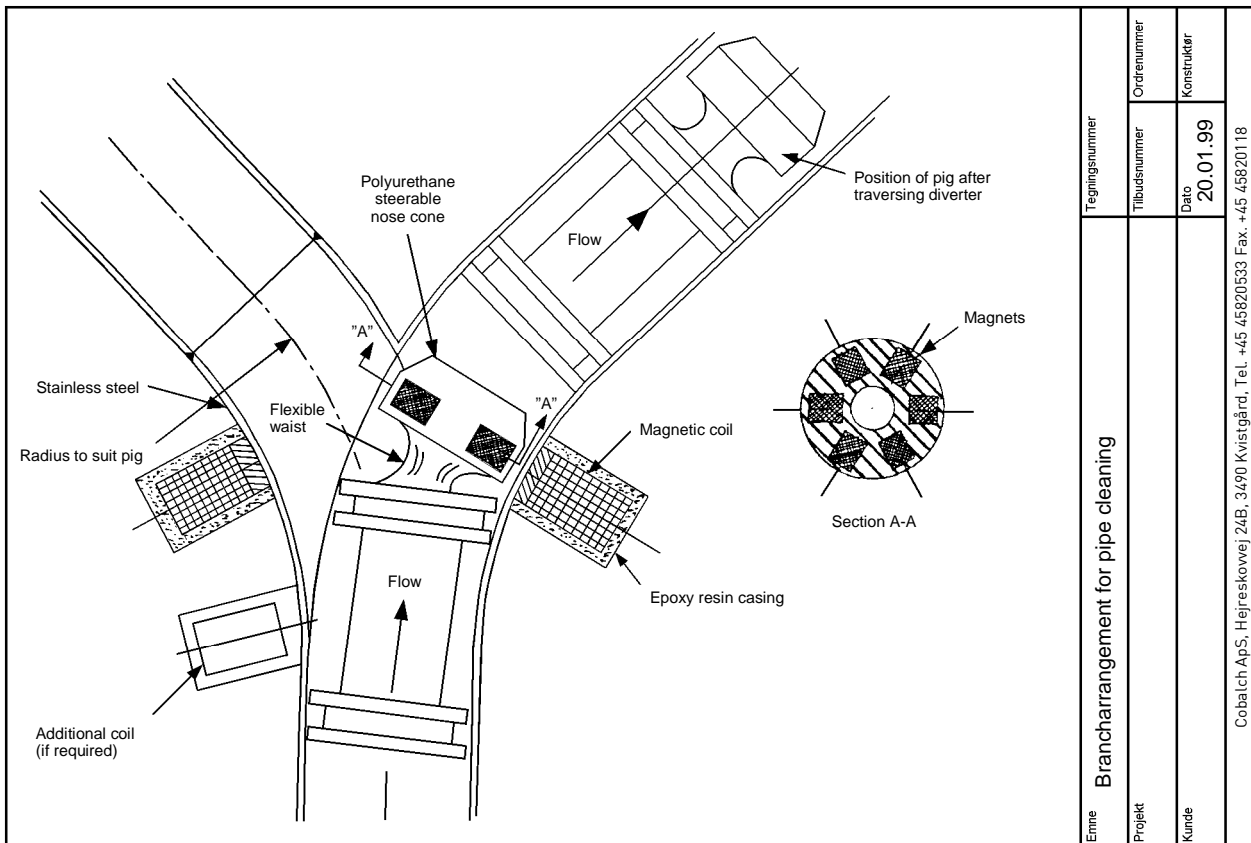
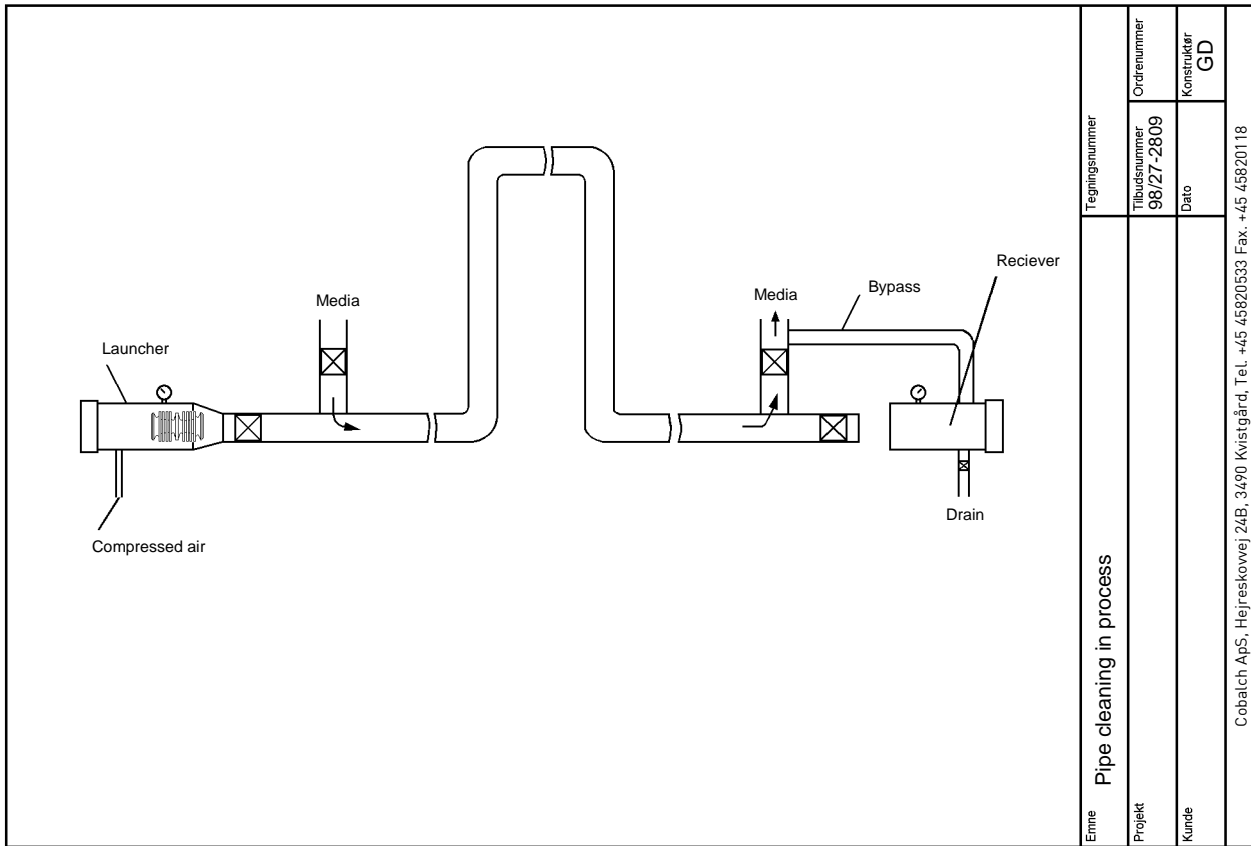
This drawing and all enclosure rightfully remains ours. They are trusted to the receiver and for personal use only. Without our written permission may they not be duplicated, multiplied or made available for "Third man" especially competitors and their employees. 15.12.97.



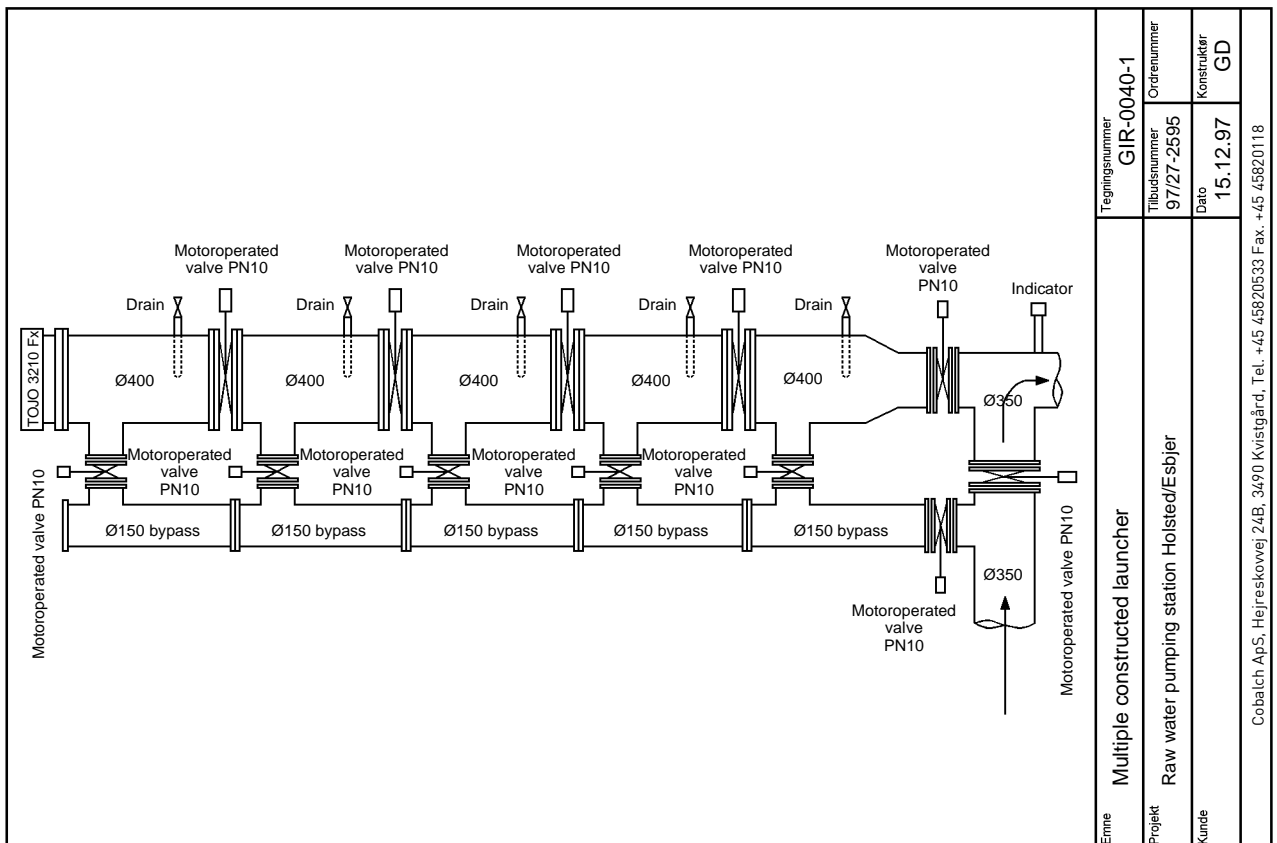
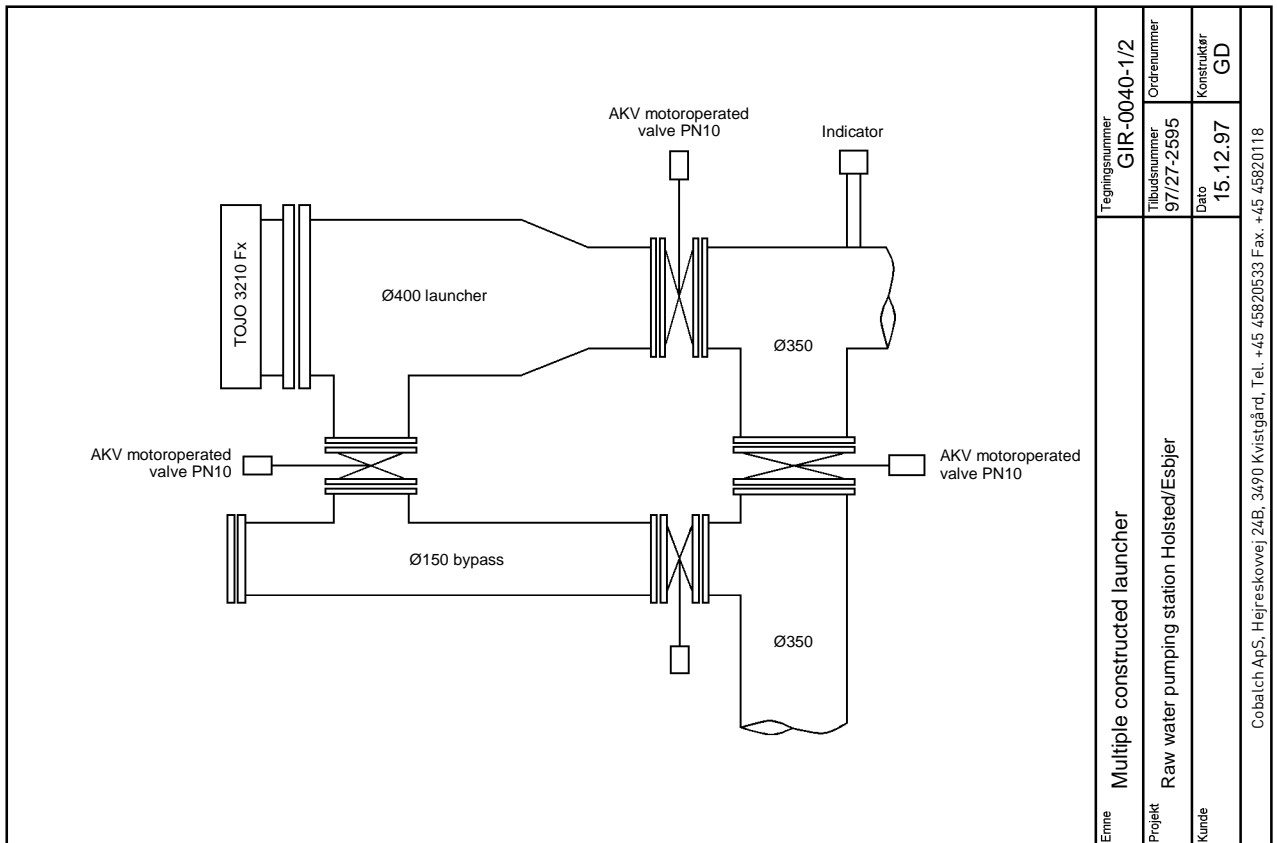
Emne	Launcher		
Projekt	Tegningsnummer	Tilbudsnummer	Ordrenummer
Kunde		Dato	Konstruktør
Cobalch ApS, Hejreskovvej 24B, 3490 Kvistgård, Tel. +45 45820533 Fax. +45 45820118			

Emne	Launcher		
Projekt	Tegningsnummer	Tilbudsnummer	Ordrenummer
Kunde		Dato	Konstruktør
Cobalch ApS, Hejreskovvej 24B, 3490 Kvistgård, Tel. +45 45820533 Fax. +45 45820118			

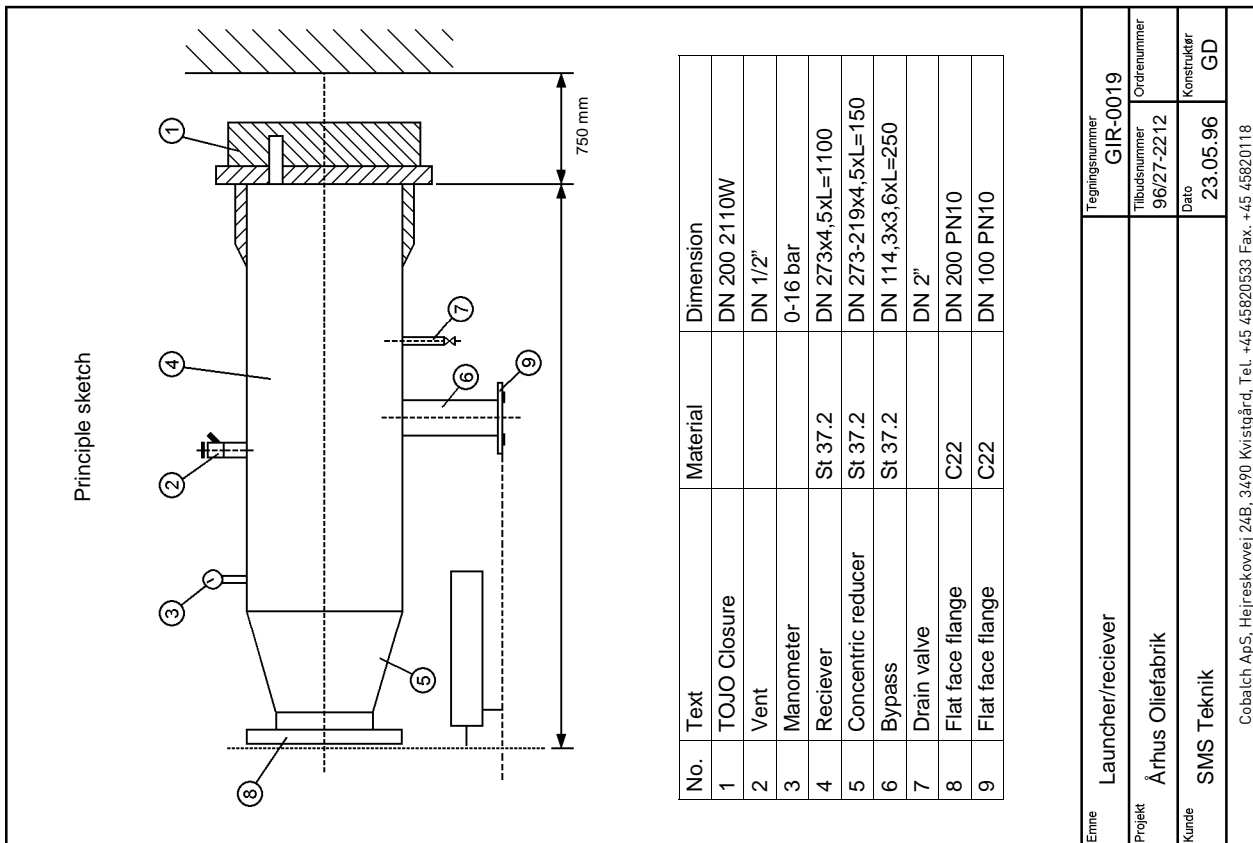
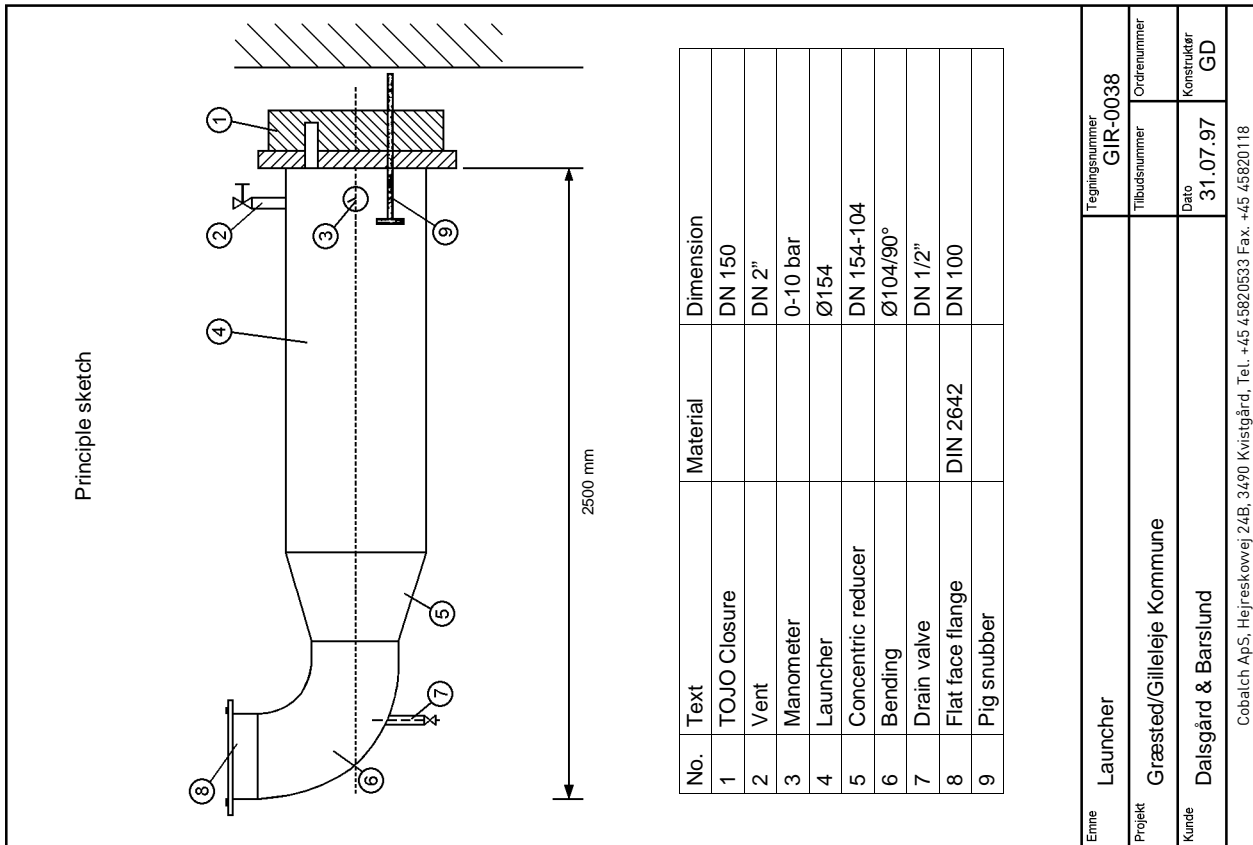
This drawing and all enclosure rightfully remains ours. They are trusted to the receiver and for personal use only. Without our written permission may they not be duplicated, multiplied or made available for "Third man" especially competitors and their employees. 15.12.97.



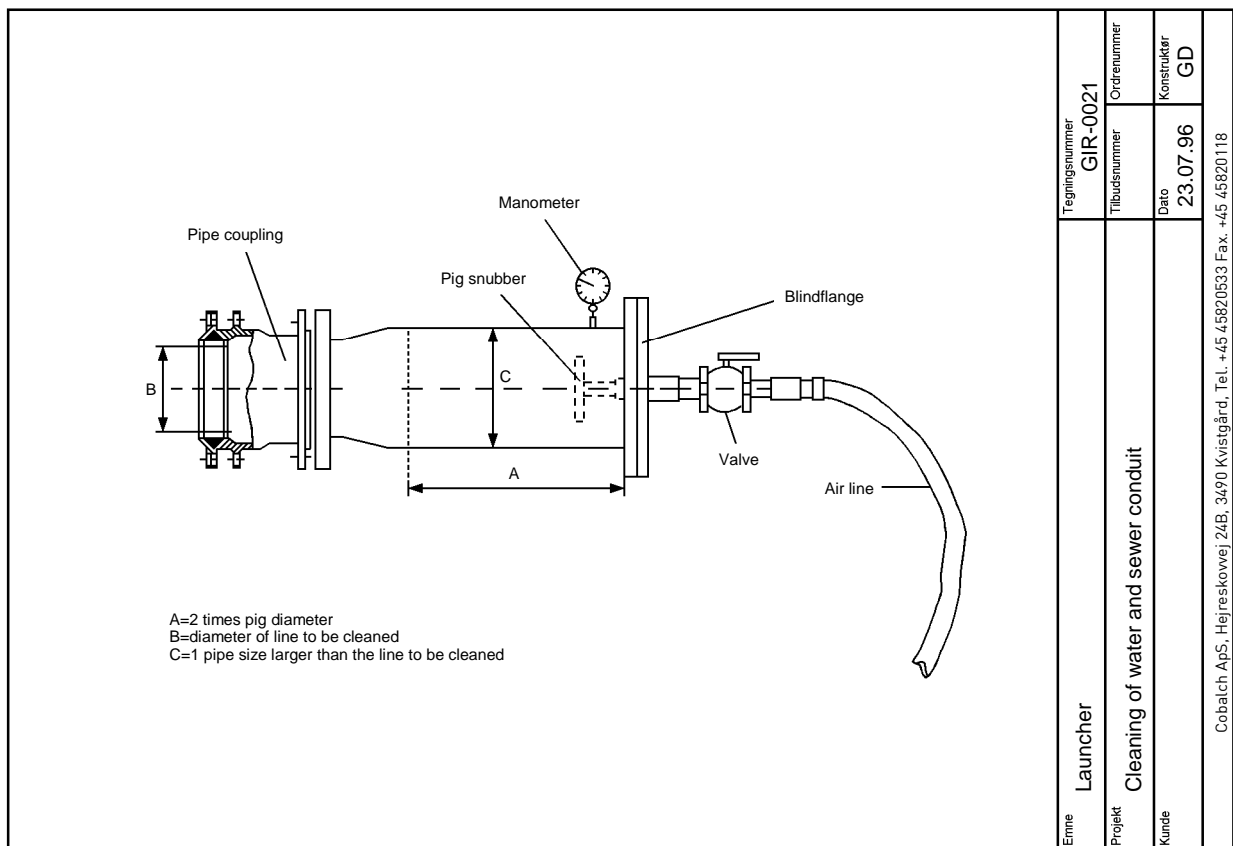
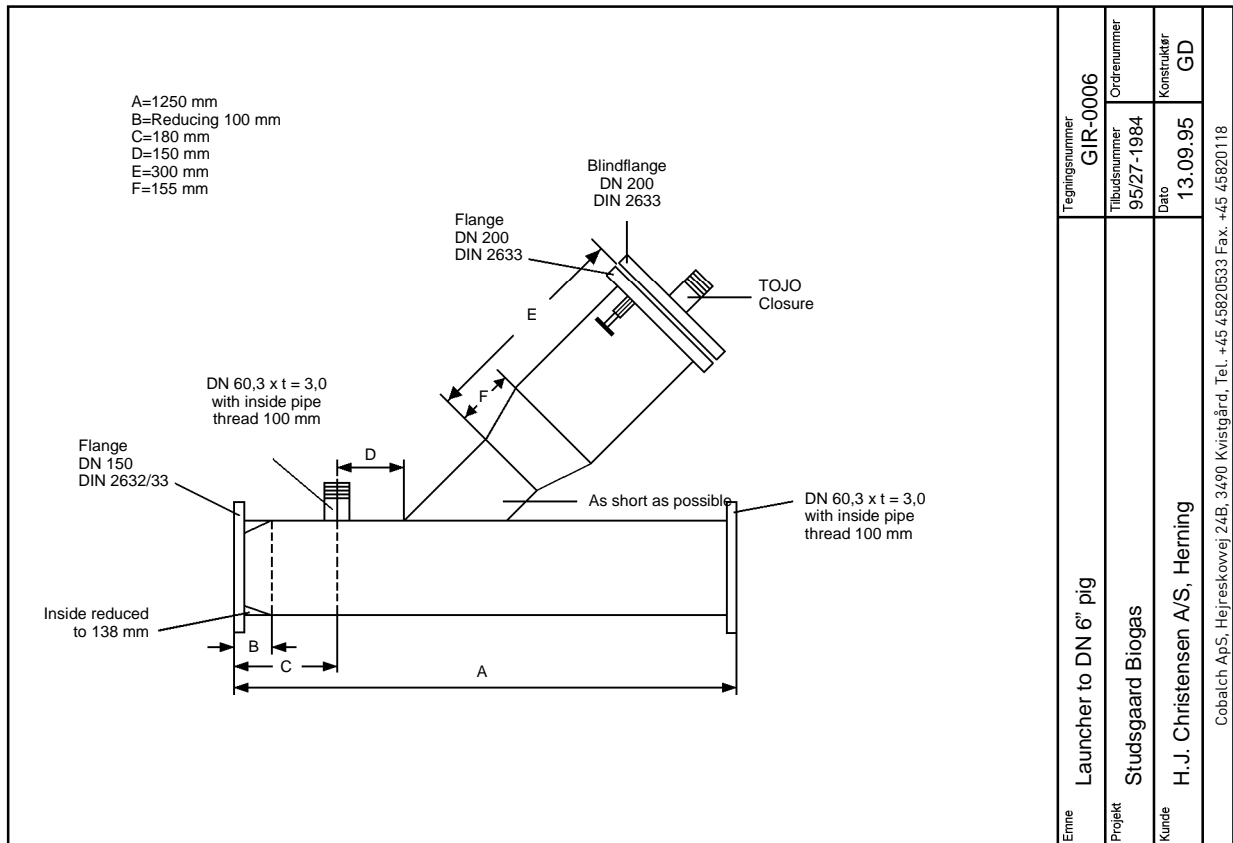
This drawing and all enclosure rightfully remains ours. They are trusted to the reciever and for personal use only. Without our written permission may they not be duplicated, multiplied or made available for "Third man" especially competitors and their employees. 15.12.97.



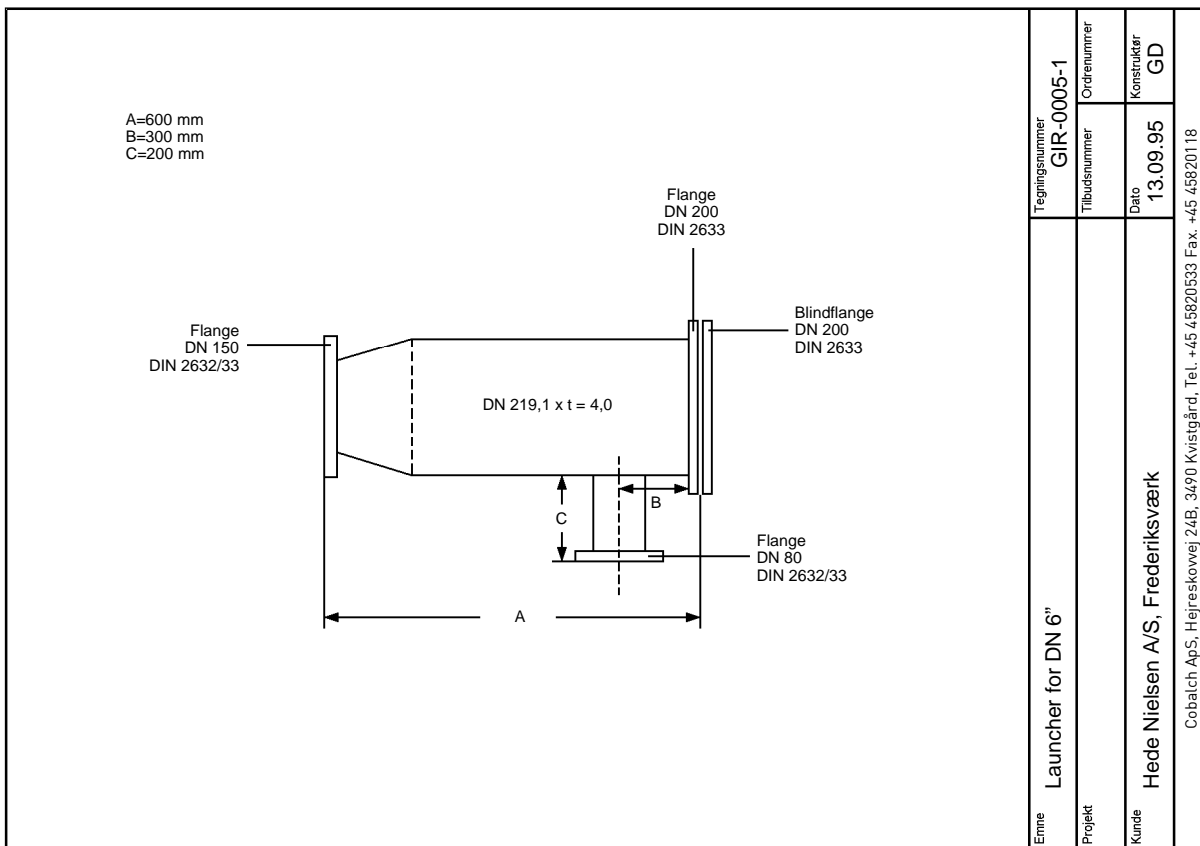
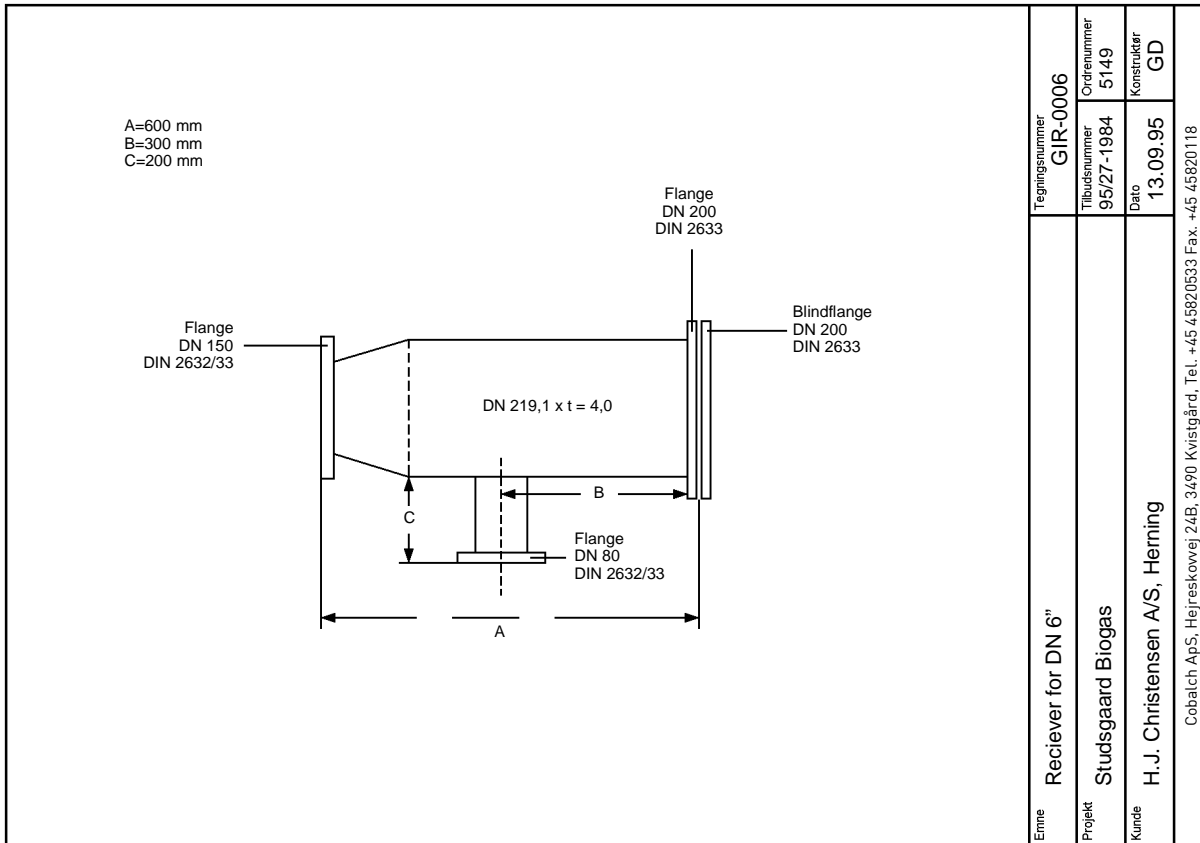
This drawing and all enclosure rightfully remains ours. They are trusted to the receiver and for personal use only. Without our written permission may they not be duplicated, multiplied or made available for "Third man" especially competitors and their employees. 15.12.97.



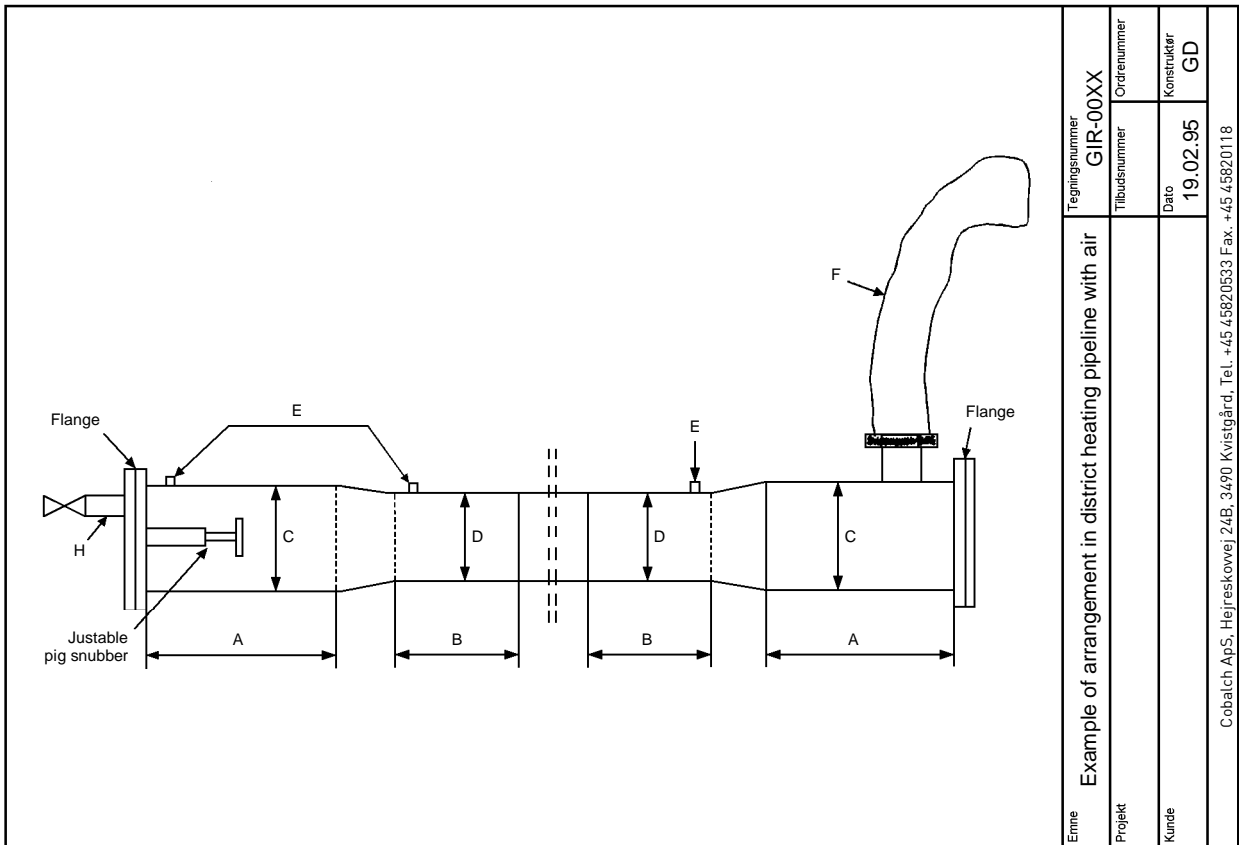
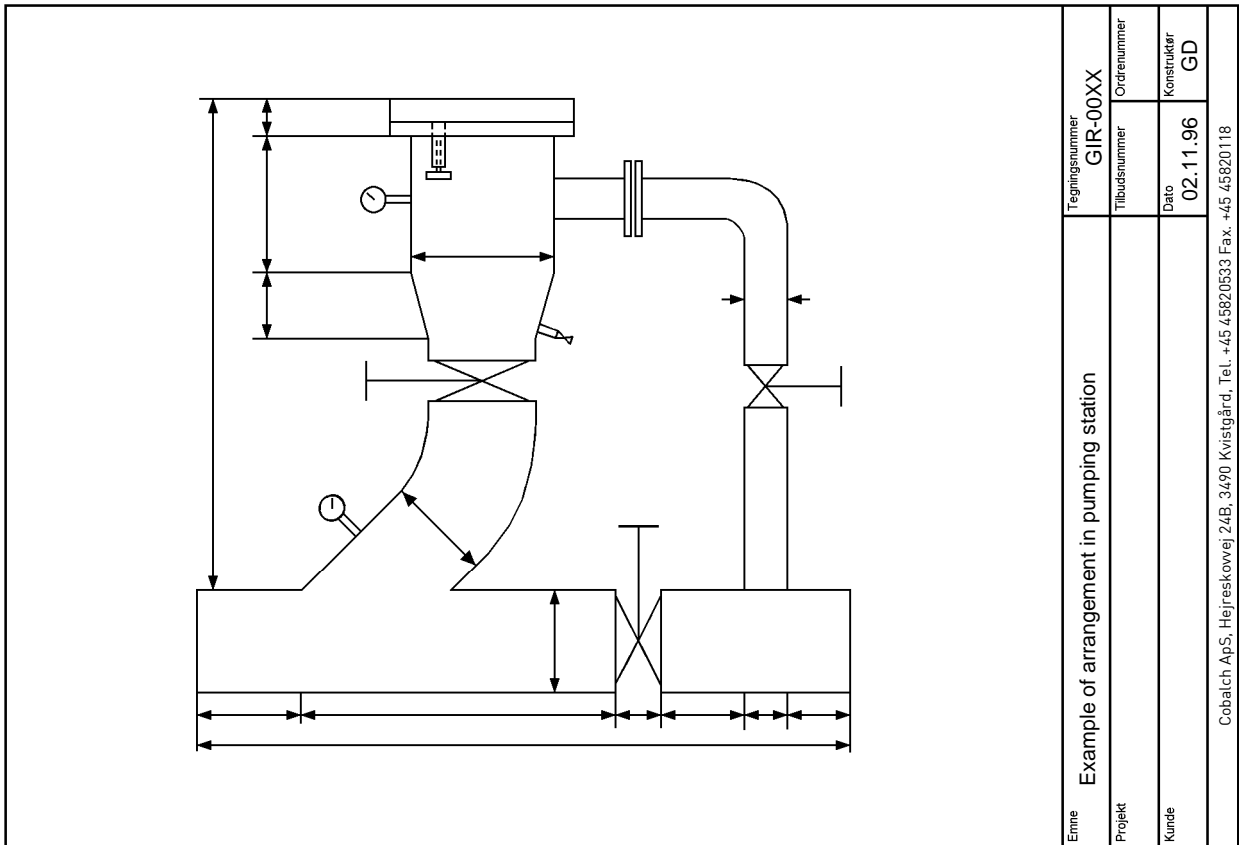
This drawing and all enclosure rightfully remains ours. They are trusted to the reciever and for personal use only. Without our written permission may they not be duplicated, multiplied or made available for "Third man" especially competitors and their employees. 15.12.97.



This drawing and all enclosure rightfully remains ours. They are trusted to the receiver and for personal use only. Without our written permission may they not be duplicated, multiplied or made available for "Third man" especially competitors and their employees. 15.12.97.



This drawing and all enclosure rightfully remains ours. They are trusted to the receiver and for personal use only. Without our written permission may they not be duplicated, multiplied or made available for "Third man" especially competitors and their employees. 15.12.97.



This drawing and all enclosure rightfully remains ours. They are trusted to the receiver and for personal use only. Without our written permission may they not be duplicated, multiplied or made available for "Third man" especially competitors and their employees. 15.12.97.

Technical modification reserved

04-00-227