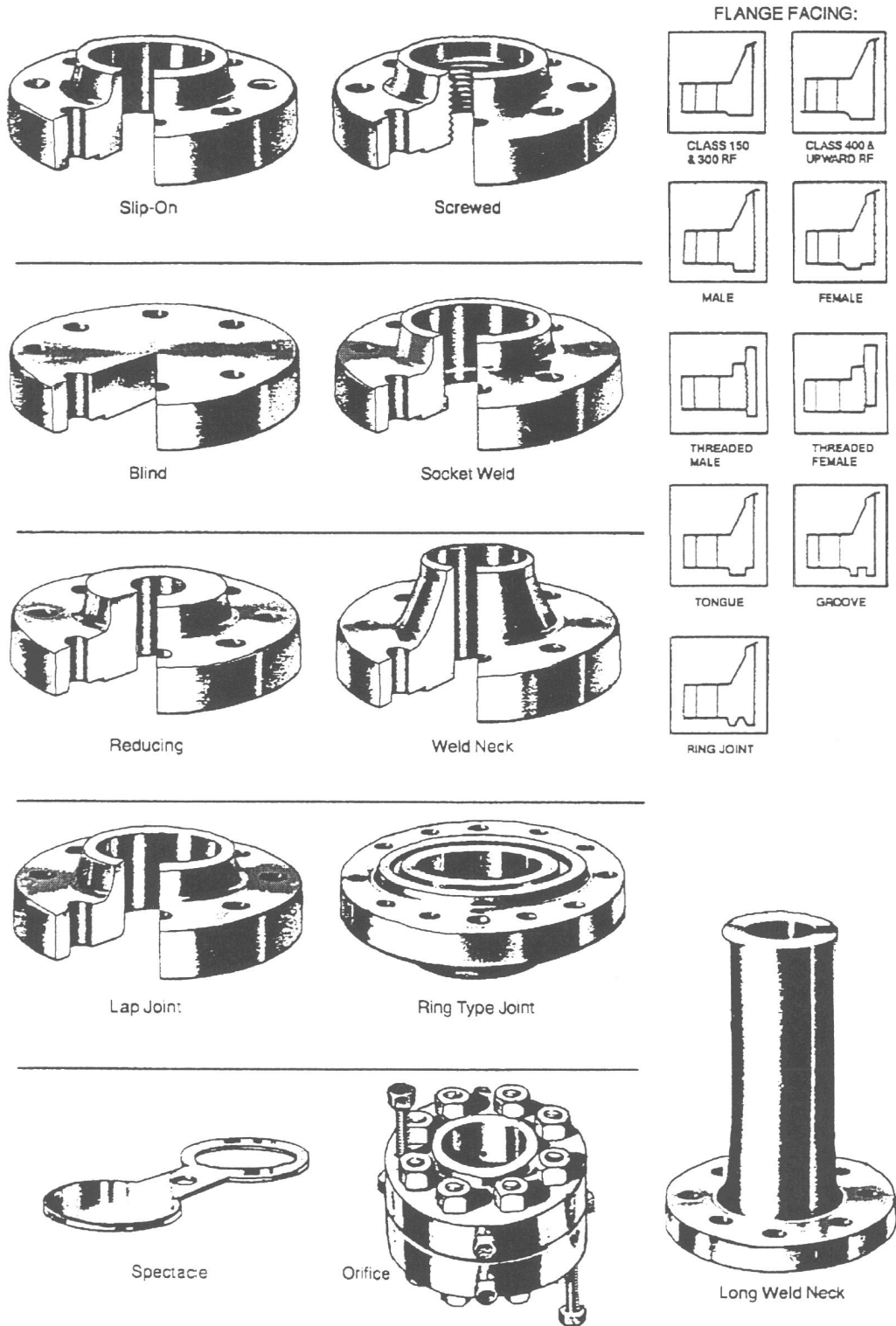


FLANGER - DIN and ANSI



10-15-221

Technical modifications reserved