

Item no.	RP		SW mm	L mm
	"	mm		
217-4000	1	25	65	68
217-4001	1 1/4	32	85	71
217-4002	1 1/2	40	85	71
217-4003	2	50	100	78

Scope of application Nonconductive pipe joint for all gas house lead-ins with max. 4 bar operating pressure burden, with operating temperature range from -10° to +70° C.

Scope of manufacture Standard from DN 1" (DN 25) to 2" (DN 50) with internal thread on one side and external on the other.

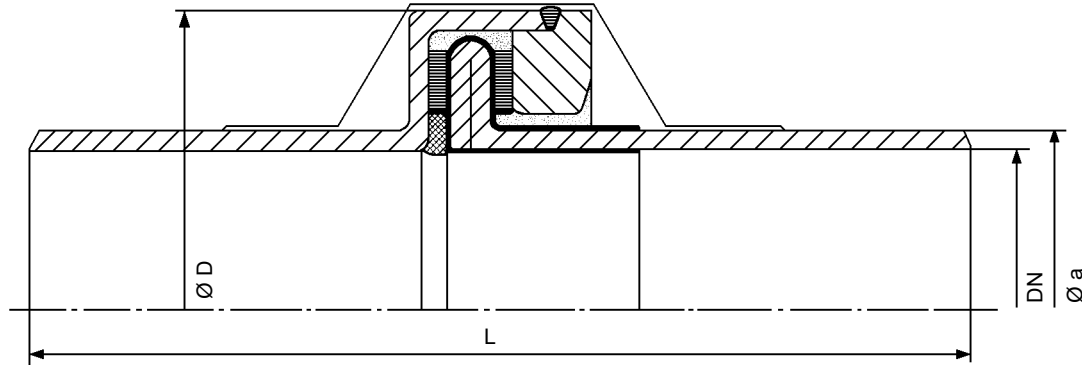
Works tests Sealing verified by internal pressure using air or insert gas with at least 1,1 times design pressure.
Electrical tests of 1 minute withstand voltage of 2000 V (50Hz) carried out as routine check test to DIN 3389/GT.

Technical variants Can be supplied with weld-on ends or as combination weld-on ends and thread.

Materials House of GGG40.
Seals of Akrylonitrile rubber.
Insulationsmaterial of Duroplast.

Approval DG 1706
DVGW

Insulation joint
Type ET PN 10, PN 6,
ANSI 150



Item no.	DN		Outs. pipe Ø a mm	Ø D mm	L mm	Weight kg
	”	mm				
217-5000	1	25	33,7	60	500	3,5
217-5001	1 1/4	32	42,4	82	500	4,0
217-5002	1 1/2	40	48,3	82	500	4,0
217-5003	2	50	60,3	92	500	5,5
217-5004	2 1/2	65	76,1	110	500	6,5
217-5005	3	80	88,9	130	500	7,5
217-5006	4	100	108/114,3	155	500	11,0
217-5007	5	125	133/139,7	182	500	14,0
217-5008	6	150	159/168,3	208	500	16,0
217-5009	8	200	219,1	260	500	27,0

Scope of application Strong and flexibel rigid pipe connections for flow media such as mineral oil, kerosene, gaso line, propane, butane, natural gas, coal gas, ethylene, nitrogen, drinking water ect. at opera ting temperature of max. 80°C.
Maintenance free, very high life span and safety.

Scope of manufacture Standard from DN 1" (DN25) to DN8" (DN200) with weld-on ends.

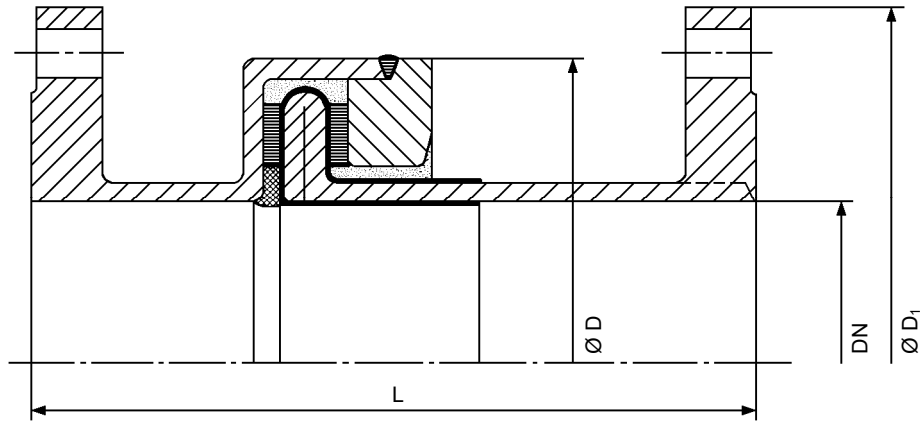
Works tests In accordance to EN 12007-3 and VdTÜV 1066 from TÜVBaden.
As well as DIN 1066 for natural gaslines.
Electrical test with 2500 - 12000V (50 Hz) in 1 minute.
Resistance measurement at 500 or 1000 V DC.

Technical variants Can be supplied with flanges or combination flanges/weld-on ends.

Materials The choice of metals is made in accordance with DIN standards and AD-Merkblättern.
Insulation material Duroplast with high pressure resistance and good dielectric characterics .
Sealing material with low compression set.

Surface PU coated

Approval DVGW
DN 1" - 2" DG 1836



Item no.	DN		Outs. pipe Ø a mm	Length flanges L mm		PN 10/16 Ø D mm	PN 10/16 Ø D ₁ mm	Weight kg
	"	mm						
217-5050	1	25	33,7	200	350	60	150	5,5
217-5051	1 1/4	32	42,4	230	350	82	140	6,5
217-5052	1 1/2	40	48,3	230	350	82	150	7,0
217-5053	2	50	60,3	250	350	92	165	8,0
217-5054	2 1/2	65	76,1	250	350	110	182	9,0
217-5055	3	80	88,9	280	350	130	200	12,0
217-5056	4	100	114,3	290	355	155	220	15,0
217-5057	5	125	139,7	300	360	182	250	18,0
217-5058	6	150	168,3	340	380	208	285	22,5
217-5059	8	200	219,1	340	390	260	340	32,0

Scope of application Strong and flexibel rigid pipe connections for flow media such as mineral oil, kerosene, gaso line, propane, butane, natural gas, coal gas, ethylene, nitrogen, drinking water ect. at opera ting temperature of max. 80°C.
Maintenance free, very high life span and safety.

Scope of manufacture Standard from DN 1" (DN25) to DN8" (DN200) with flanges DIN 2633. Electrical insulation. Short version for difficult places.

Worktests Tested in accordance to EN 12007-3 and VdTÜVBaden.
As well as DIN 1066 for natural gaslines. Electrical test with 2500 - 12000V (50 Hz) in 1 minute. Resistance measurement at 500 or 1000 V DC.

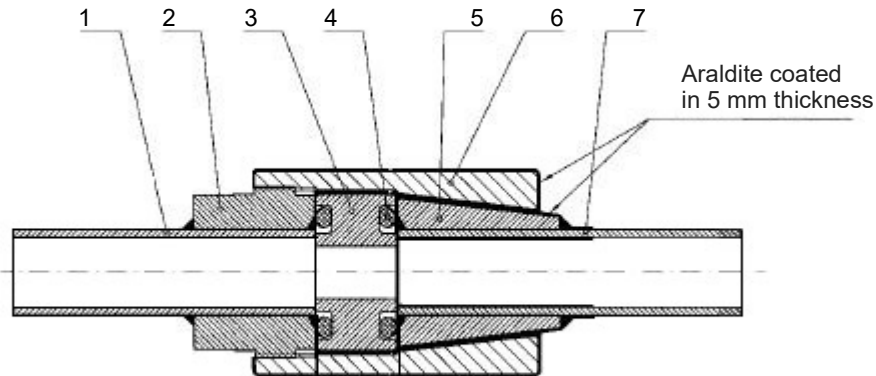
Technical variants Can be supplied with flanges or combination flanges/weld-on ends.

Material The choice of metals is made in accordance with DIN standards and AD-Merkblätter.
Insulation material Duroplast with high pressure resistance and good dielectric characterics .
Sealing material with low compression set.
Can be supplied with internal and outer thread (up to 4").

Surface W49 Bitumen coated as standard.

Approval DVGW
DN 1" - 2" DG 1836

**Insulation joint
Type HIK 72 Ermeto**



Item no.		DN	Inside diameter	Thickness	Length
St 52.3	1.4571	Ø a mm	Ø Li mm	S mm	mm
217-4111	217-4120	6	4	1	180
217-4112	217-4121	8	4	2	180
217-4113	217-4122	10	6	2	180
217-4114	217-4123	12	8	2	180
217-4115	217-4124	14	10	2	180
217-4116	217-4125	16	12	2	180
217-4117	217-4126	18	14	2	180
217-4118	217-4127	20	16	2	180

Scope of application For hydraulic, chemicals ect.
Operating pressure from 160 to 376 bar.

Scope of manufacture Plain ends.

Work tests Pressure test 1,5 x working pressure

Material
1 and 7 - 1.4571
2, 5 and 6 - Steel S355 DIN 17440
3 - Insulation AlMgSi 1F32
4 - O-rings VITON

Surface Epoxy paint in green colour.